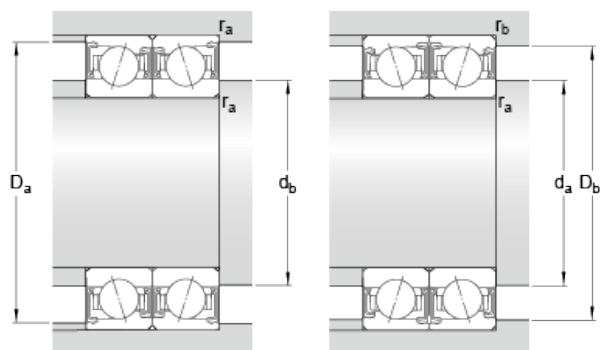




ISOSTATIC BEARING LIMITED



S7005 CDTP/P4B SKF High Speed Angular Contact Ball Bearings

Bearing No. S7005 CDTP/P4B

S7005 CDTP/P4B Bearing 2D drawings and 3D CAD models

d	25 mm
D	47 mm
B	12 mm
d ₁	32.1 mm
d ₂	32.1 mm
D ₂	42.17 mm
r _{1,2} min.	0.6 mm
r _{3,4} min.	0.3 mm
a	10.9 mm
d _a min.	28.2 mm
d _a max.	31.6 mm
d _b min.	28.2 mm
d _b max.	31.6 mm
D _a max.	43.8 mm
D _b max.	45 mm
r _a max.	0.6 mm
r _b max.	0.3 mm
Basic dynamic load rating C	9.56 kN
Basic static load rating C ₀	5.2 kN
Fatigue load limit P _u	0.22 kN
Attainable speed for grease lubrication	36000 r/min
Ball diameter D _w	6.35 mm
Number of balls z	14
Preload class A G _A	35 N
Static axial stiffness, preload	25 N/ μ m



ISOSTATIC BEARING LIMITED

class A	
Preload class B G_B	70 N
Static axial stiffness, preload class B	33 N/ μ m
Preload class C G_C	140 N
Static axial stiffness, preload class C	46 N/ μ m
Preload class D G_D	280 N
Static axial stiffness, preload class D	64 N/ μ m
Calculation factor f	1.05
Calculation factor f_1	1
Calculation factor f_{2A}	1
Calculation factor f_{2B}	1.02
Calculation factor f_{2C}	1.05
Calculation factor f_{2D}	1.09
Calculation factor f_{HC}	1
Calculation factor f_0	9.6
Mass bearing	0.079 kg