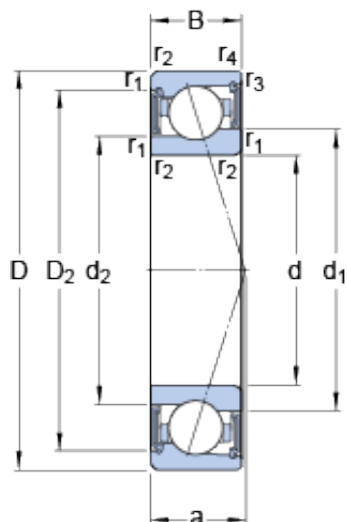




# ISOSTATIC BEARING LIMITED

## S71905 CE/P4A SKF High Speed Angular Contact Ball Bearings

Bearing No. S71905 CE/P4A



S71905 CE/P4A Bearing 2D drawings and 3D CAD models

Size	42x25x9 mm
Bore Diameter	42 mm
Outer Diameter	25 mm
Width	9 mm
d	25 mm
D	42 mm
B	9 mm
d <sub>1</sub>	30.7 mm
d <sub>2</sub>	29.4 mm
D <sub>2</sub>	38.4 mm
r <sub>1,2</sub> - min.	0.3 mm
r <sub>3,4</sub> - min.	0.15 mm
a	9.2 mm
d <sub>a</sub> - min.	27 mm
d <sub>a</sub> - max.	30.3 mm
d <sub>b</sub> - min.	27 mm
d <sub>b</sub> - max.	29 mm
D <sub>a</sub> - max.	40 mm
D <sub>b</sub> - max.	41.2 mm
r <sub>a</sub> - max.	0.3 mm
r <sub>b</sub> - max.	0.15 mm
Basic dynamic load rating - C	5.3 kN
Basic static load rating - C <sub>0</sub>	2.8 kN
Fatigue load limit - P <sub>u</sub>	0.12 kN



## ISOSTATIC BEARING LIMITED

Limiting speed for grease lubrication	49000 r/min
Ball - $D_w$	4.762 mm
Ball - z	16
Calculation factor - $f_0$	8.1
Preload class A - $G_A$	28 N
Preload class B - $G_B$	85 N
Preload class C - $G_C$	170 N
Calculation factor - f	1.06
Calculation factor - f	1
Calculation factor - $f_{2A}$	1
Calculation factor - $f_{2B}$	1.04
Calculation factor - $f_{2C}$	1.08
Calculation factor - $f_{HC}$	1
Preload class A	20 N/micron
Preload class B	32 N/micron
Preload class C	44 N/micron
$d_1$	30.7 mm
$d_2$	29.4 mm
$D_2$	38.4 mm
$r_{1,2}$ min.	0.3 mm
$r_{3,4}$ min.	0.15 mm
$d_a$ min.	27 mm
$d_a$ max.	30.3 mm
$d_b$ min.	27 mm
$d_b$ max.	29 mm
$D_a$ max.	40 mm
$D_b$ max.	41.2 mm
$r_a$ max.	0.3 mm
$r_b$ max.	0.15 mm
Basic dynamic load rating C	5.27 kN



## ISOSTATIC BEARING LIMITED

Basic static load rating $C_0$	2.85 kN
Fatigue load limit $P_u$	0.12 kN
Attainable speed for grease lubrication	49000 r/min
Ball diameter $D_w$	4.762 mm
Number of balls $z$	16
Preload class A $G_A$	28 N
Static axial stiffness, preload class A	20 N/ $\mu$ m
Preload class B $G_B$	85 N
Static axial stiffness, preload class B	32 N/ $\mu$ m
Preload class C $G_C$	170 N
Static axial stiffness, preload class C	44 N/ $\mu$ m
Calculation factor $f$	1.06
Calculation factor $f_1$	1
Calculation factor $f_{2A}$	1
Calculation factor $f_{2B}$	1.04
Calculation factor $f_{2C}$	1.08
Calculation factor $f_{HC}$	1
Calculation factor $f_0$	8.1
Mass bearing	0.042 kg