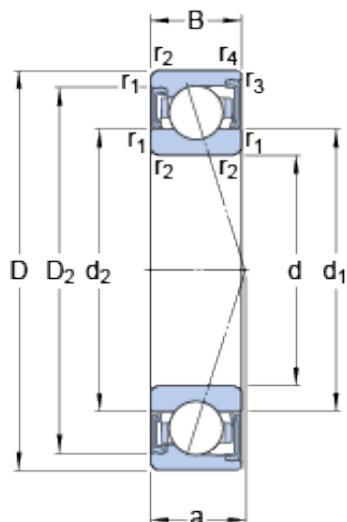




ISOSTATIC BEARING LIMITED

S71904 CD/P4A SKF High Speed Angular Contact Ball Bearings

Bearing No. S71904 CD/P4A



S71904 CD/P4A Bearing 2D drawings and 3D CAD models

Size	37x20x9 mm
Bore Diameter	37 mm
Outer Diameter	20 mm
Width	9 mm
d	20 mm
D	37 mm
B	9 mm
d ₁	25.6 mm
d ₂	25.6 mm
D ₂	34.15 mm
r _{1,2} - min.	0.3 mm
r _{3,4} - min.	0.2 mm
a	8.4 mm
d _a - min.	22 mm
d _a - max.	25.1 mm
d _b - min.	22 mm
d _b - max.	25.1 mm
D _a - max.	35 mm
D _b - max.	35.6 mm
r _a - max.	0.3 mm
r _b - max.	0.2 mm
Basic dynamic load rating - C	6 kN
Basic static load rating - C ₀	3.2 kN
Fatigue load limit - P _u	0.137 kN



ISOSTATIC BEARING LIMITED

Limiting speed for grease lubrication	43000 r/min
Ball - D_w	4.762 mm
Ball - z	15
Calculation factor - f_0	9.8
Preload class A - G_A	25 N
Preload class B - G_B	50 N
Preload class C - G_C	100 N
Preload class D - G_D	200 N
Calculation factor - f	1.05
Calculation factor - f	1
Calculation factor - f_{2A}	1
Calculation factor - f_{2B}	1.04
Calculation factor - f_{2C}	1.09
Calculation factor - f_{2D}	1.15
Calculation factor - f_{HC}	1
Preload class A	22 N/micron
Preload class B	29 N/micron
Preload class C	40 N/micron
Preload class D	56 N/micron
d_1	25.6 mm
d_2	25.6 mm
D_2	34.15 mm
$r_{1,2}$ min.	0.3 mm
$r_{3,4}$ min.	0.2 mm
d_a min.	22 mm
d_a max.	25.1 mm
d_b min.	22 mm
d_b max.	25.1 mm
D_a max.	35 mm
D_b max.	35.6 mm



ISOSTATIC BEARING LIMITED

r_a max.	0.3 mm
r_b max.	0.2 mm
Basic dynamic load rating C	6.05 kN
Basic static load rating C_0	3.2 kN
Fatigue load limit P_u	0.137 kN
Attainable speed for grease lubrication	43000 r/min
Ball diameter D_w	4.762 mm
Number of balls z	15
Preload class A G_A	25 N
Static axial stiffness, preload class A	22 N/ μ m
Preload class B G_B	50 N
Static axial stiffness, preload class B	29 N/ μ m
Preload class C G_C	100 N
Static axial stiffness, preload class C	40 N/ μ m
Preload class D G_D	200 N
Static axial stiffness, preload class D	56 N/ μ m
Calculation factor f	1.05
Calculation factor f_1	1
Calculation factor f_{2A}	1
Calculation factor f_{2B}	1.04
Calculation factor f_{2C}	1.09
Calculation factor f_{2D}	1.15
Calculation factor f_{HC}	1
Calculation factor f_0	9.8
Mass bearing	0.037 kg